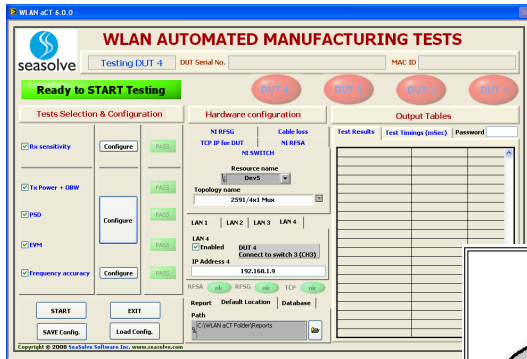




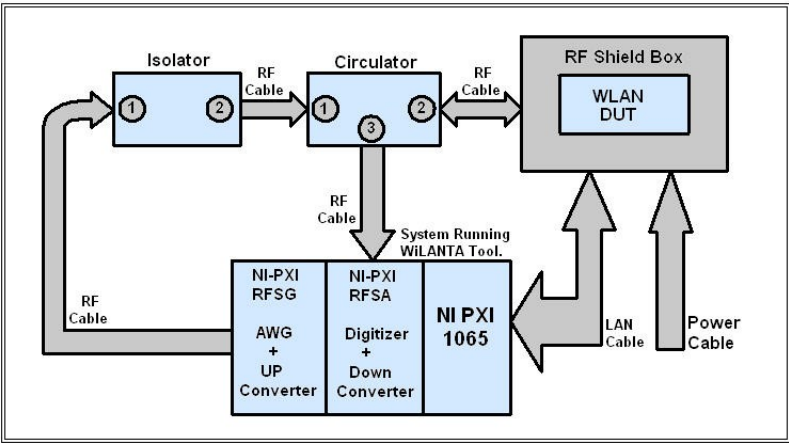
WLAN Manufacturing Test



SeaSolve's WLAN automated compliance tester for the manufacturing line combines WLAN signal generation, signal analysis and compliance testing solutions into one concise package. It offers great accuracy and speed and integrates with the National Instruments' RF test equipment. Furthermore, the solution is able to control the WLAN device-under-test in order to achieve test automation.



Set Up



Highlights

- Operator friendly
- Provides very good device throughput
- Results are reliable and repeatable, given regular test bench calibration
- Customization of test bench software and hardware available
- The same RF test hardware can be used for different wireless standards (not just WLAN).
The platform supports testing up to 6.6 GHz
- Highly versatile and can be utilized in the design and/or production processes
- High modulation accuracy
- Verification of chipset/reference/prototype designs
- Elegant and easy to use
- Supports offline analysis (of signal data)



Transmitter Tests

- Error Vector Magnitude (EVM)
- Closed Loop Power (CLP)
- Power Spectrum Density (PSD)
- Occupied BW
- Center Frequency Offset (CFO)

Receiver Tests

- Packet Error Rate (PER)
- Bit Error Rate (BER)
- Maximum Input Power

Advantages

- **Fast Test times**

The WLAN Test Solution is designed to minimize measurement times, thereby reducing the overall test time. The tests usually take around 30-40 sec to perform both the Transmitter and Receiver measurements.

- **Multiple device testing by Switch**

Multiple devices can be tested simultaneously by splitting the Transmitter and Receiver tests across DUTs.

- **Report Integration**

The WLAN tester saves reports in html format for future reference. On the other hand, production floors can save this data in their database.

- **Device Throughput**

The WLAN Tester, with its fast and efficient test times, enables higher device throughput on the production shop floor.

- **Flexibility in Hardware and Software**

SeaSolve is open to any customization needed in the hardware as well as software used in the test bench.

Headquarters

SeaSolve Software Inc
1798 Technology Dr.
Suite 139, San Jose, CA 95110
Toll Free : 1-866-WiLANTA (1-866-945-2682)
Phone : 408-437-9306
Fax : 408-437-9320

Asia Pacific Office

#104, 1st Main Road,
5th Block Koramangala
Industrial Area Bangalore 560095
Karnataka, India
Ph: +91-80 40105200
Fax: +91-80 40105300

EMEA Office

23, Vista Centre
50, Salisbury Road
Hounslow
TW4 6JQ
United Kingdom
Ph: +44 (0) 20 8538 0158
Fax: +44 (0) 20 8538 0273